



Product catalogue

Access Panels



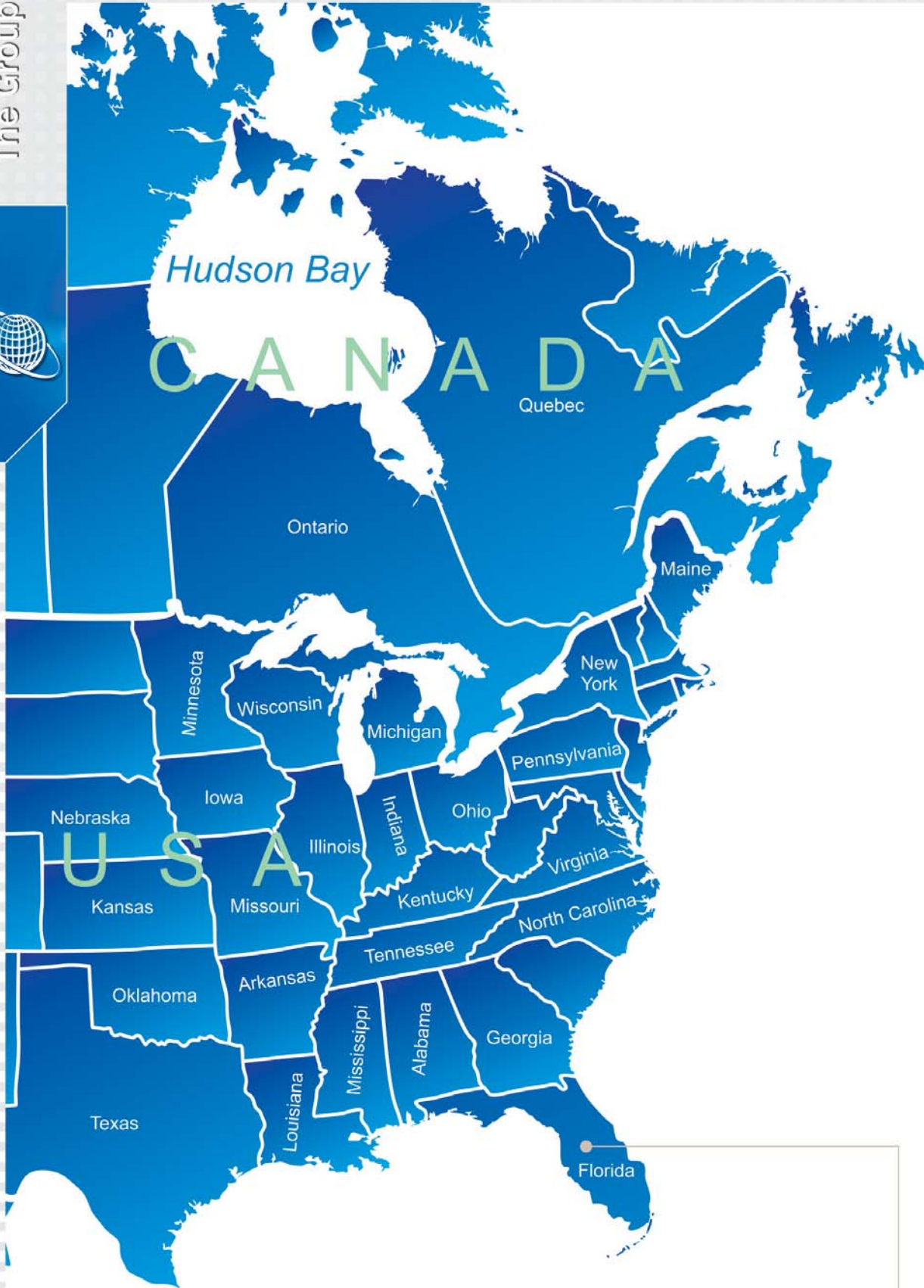
FF Systems

■ ■ Italia

Sistemi d'ispezione

FF Systems - Around

The Group



USA
FF Systems, Inc.





FF Systems - the company

The Company

Modern and experienced company

FF Systems is one of the leading producers of access panels. Founded in 1991 the company's experience in the construction industry has greatly expanded its product lines to supply the market. In 2003 it has specialized in the manufacturing of access panels and doors.

Further companies have been established in Central, Eastern Europe and in the United States. With the headquarters located in Münchsdorf Germany our production and administration offices are also located on our 5.000 m² site.

The highest technical reliability of our products, as well as the highly qualified employees, guarantee the sustainable success of FF Systems. At present, the company employs more than 150 members of staff.



Quality – consistent company policy

The highest product quality and absolute reliability of our products guarantee total confidence to the customer when installing our access panels. Therefore, FF Systems has become a byword for quality management, and we strive to maintain a consistent company policy at all our subsidiaries. Every member of our staff loyally adheres to this policy, from the moment our raw materials are processed, to the delivery of the finished product. Furthermore, our dedicated and helpful advisors will give you all the advice and practical support you require.

Our ambition

It is our aim to reach the highest degree of customer satisfaction through variety and efficiency.

Versatile and innovative product range

Our unique range of products offers access panels in the widest selection of designs. Whether for ceilings or walls, the solid aluminium access panels, with or without plasterboard inlay, or the long-established sheet steel access panels, can be assembled flush.

Our products are readily installable without any difficulties. The access panels are available in many standard dimensions. Additionally, customized sizes can be manufactured to every requested dimension. This also applies to our fire resistant access panels. Different models are available, depending on purpose, and class of fire resistance required.

The product range is completed by access doors, which are produced in accordance with the customer's specifications.



Our contacts:

| | |
|--------------------------------------|-------------------------------------|
| OFFICE PHONE: | 0331-1852002 |
| OFFICE FAX: | 0331-1852003 |
| ADMINISTRATION: | amministrazione@ffsystems.it |
| CUSTOMER QUOTATION REQUESTS: | commerciale@ffsystems.it |
| CUSTOMER ORDERS: | customerservice@ffsystems.it |
| PURCHASING OFFICE – SHIPPING: | acquisti@ffsystems.it |
| OTHER: | info@ffsystems.it |



Contents

Contents



Page 11

Access panel non-removable
System F1



Page 12

Access panel removable
System F2 AK



Page 13

Access panel 'airtight and dust-proof'
System F2 AKL



Page 14

Access panel for tiling
System F3



Page 15

Jumbo light door
System JA



Page 16

Jumbo door
System JT



produciamo soluzioni

FF Systems Italia
Sistemi d'ispezione

Particular systems



Page 17

Access panel with oversized multi-door
System DA



Page 18

Access panel on support (gravity closing)
System APP / F3N
for ceiling or with pivots for wall



Page 19

Access panel Jumbo XXL for ceiling
System J-XXL



Page 20

Access panel with perforated board
System F2LO



Page 21

Access panel round removable
System R



produciamo soluzioni

FF Systems Italia
Sistemi d'ispezione

Outdoor systems



Page 23

Access panel for exterior 'watertight' with metal surface
System FP



Page 24

Access panel for outdoor on brick walls
System MPW



Page 25

Access panel for outdoor on brick walls for large size
System MPWT



Page 26

Access panel for facade 'watertight'
System MPWD



Page 27

Access panel for exterior 'watertight' with metal surface
System EXT

Systems for solid walls and ceilings



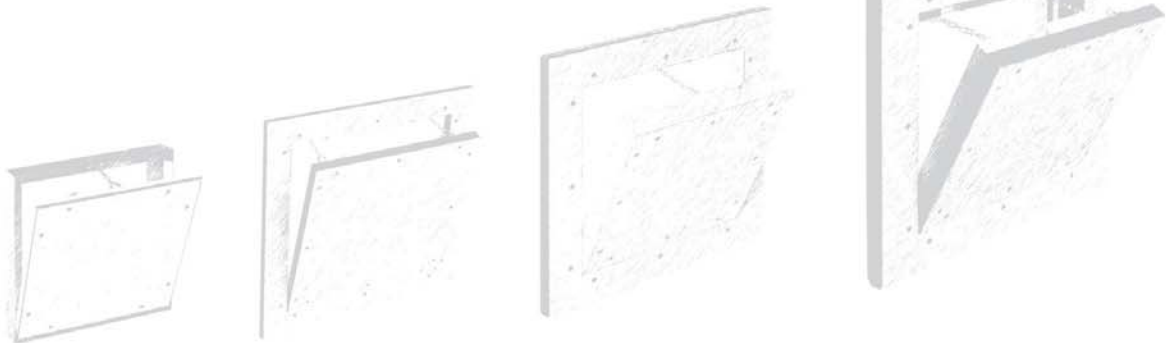
Page 29

Access panel for solid walls and ceilings
System MW



Page 30

Access panel for brick walls
System MWT



produciamo soluzioni

FF Systems Italia
Sistemi d'ispezione

Access panels sheet steel



Page 32
Access panel with four-square lock
System B1



Page 32
Access panel with four-square lock
AIRTIGHT AND DUST-PROOF
System B1L



Page 33
Access panel with snap locks
System B2



Page 34
Access panel with cylinder lock
System B3



Page 34
Access panel with cylinder lock
AIRTIGHT AND DUST-PROOF
System B3L



Page 35
Access panel with profile cylinder lock
System B4



Page 36
Access panel with magnetic lock
System B5



Stainless steel



Double-doors



Stainless steel

produciamo soluzioni

Access panels for walls and ceilings

- Flush-mounted frame in welded aluminum, for better stability
- Without screws and fixing angles for an easier installation
- Right and left click clacks for better opening system operation
- Safety cables and snap hooks for easy door opening
- Glued panel that does not require grouting of the door
- White gasket to hide the light effect between frame and door



- F2 system with tilting hinges and removable door
- V2 system for tiles or thick skim coatings
- F1 with side opening and fixed door
- JA system with hinges for door opening
- JT system with hinges for large dimensions and door opening



- Customized production
- Special systems with multiple doors
- Large dimensions with single door
- Special thicknesses
- Fast delivery



Access panel non-removable

System F1 - Aluminium frame, with or without plasterboard inlay, for ceilings and drywall partitions



Ready-to-paint door leaf

Description

The access panel consists of aluminium profiles, with or without plasterboard inlay GKBI from 10 mm to 25 mm and two latches.

Both, an outer and an inner frame of the access panel consist of four single frames, which are firmly connected due to a special welding process. For sizes from 300 x 300 mm, the access panel is equipped with a safety-system against accidental opening. In order to avoid accidents, this safety-system has to be secured after each opening. The access panel is easily installed in walls and ceilings.

A joint gap of 1.5 mm is visible between outer frame and door leaf. The concealed snap locks open the access panel when pressure is applied to the flap on the spring loaded latch side.



Standard sizes for cladding of 12.5 mm

| System F1 | Dimensions in mm | | | | |
|------------|------------------|-----|----|----|----|
| | A | B | C | D | E |
| 200200G125 | 200 | 200 | 13 | 28 | 40 |
| 300300G125 | 300 | 300 | 13 | 28 | 40 |
| 400400G125 | 400 | 400 | 13 | 28 | 40 |
| 500500G125 | 500 | 500 | 13 | 28 | 40 |
| 600600G125 | 600 | 600 | 13 | 28 | 40 |

All standard sizes are available for cladding thicknesses from 10 mm to 25 mm. For further cladding thickness information, please do not hesitate to call us.

Locks

The access panel can be equipped with the following types of locks:

- FS** Four-square lock with white collar
- Z** Round-cylinder lock with key
- PZ** Profile cylinder lock with metal collar
- SD** Screwdriver operated cam latch
- H** Hex head cam latch
- P** Pinned hex head cam latch

Customized solutions

Customized sizes can be produced in every dimension upon enquiry.

Particular advantages of our system

- Economical solution
- Delivery at short notice on request
- Quick and easy installation
- Solid aluminium frame
- Sophisticated solution
- Flush installation in ceilings and drywall partitions
- Also applicable to perforated gypsum board
- Superior protection from damage or loss, as the hatch is firmly connected to the outer frame
- Lateral opening is possible in wall areas
- Ready-to-paint door leaf

Additionally, the screwed models as well as the aluminium frame models are available.

produciamo soluzioni
FF Systems Italia
 Sistemi d'ispezione

for drywall partitions



watch installation video

for ceilings



watch installation video



Access panel removable

System F2 Alu-Magic-Aluminium frame, with or without plasterboard inlay, for ceilings and drywall partitions

Alu-Magic

F2

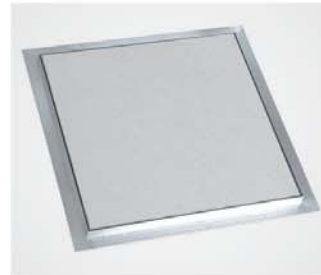
Description

The access panel consists of aluminium profiles, with or without plasterboard inlay GKBI from 10 mm to 25 mm and two latches.

Both, an outer and an inner frame of the access panel consist of four single frames, which are firmly connected due to a special welding process. For sizes from 300 x 300 mm, the access panel is equipped with a safety-system against accidental opening. In order to avoid accidents, this safety-system has to be secured after each opening. The access panel is easily installed in walls and ceilings. A joint gap of 1.5 mm is visible between outer frame and door leaf, which is equipped with a circumferential joint. The concealed snap locks open the access panel when pressure is applied to the flap on the spring loaded latch side.



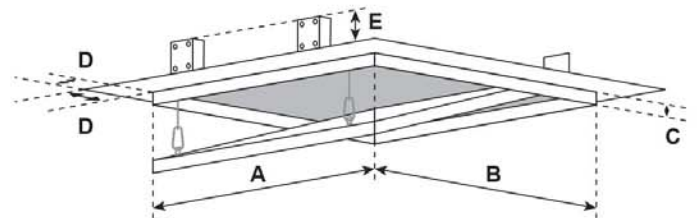
Ready-to-paint door leaf



Standard sizes for cladding of 12.5 mm

| System F2 | Dimensions in mm | | | | |
|--------------|------------------|-----|----|----|----|
| | A | B | C | D | E |
| AK200200G125 | 200 | 200 | 13 | 28 | 40 |
| AK300300G125 | 300 | 300 | 13 | 28 | 40 |
| AK400400G125 | 400 | 400 | 13 | 28 | 40 |
| AK500500G125 | 500 | 500 | 13 | 28 | 40 |
| AK600600G125 | 600 | 600 | 13 | 28 | 40 |

All standard sizes are available for cladding thicknesses from 10 mm to 25 mm. For other cladding thicknesses, please do not hesitate to contact us.



Customized solutions

Customized sizes can be produced in every dimension upon enquiry.

Particular advantages of our system

- Economical solution
- Delivery at short notice on request
- Quick and easy installation
- Solid aluminium frame
- Sophisticated solution
- Flush installation in ceilings and drywall partitions
- Ready-to-paint door leaf
- Also applicable to perforated gypsum board

Additionally, the screwed models as well as the aluminium frame models are available.

Locks

The access panel can be equipped with the following types of locks:

- FS** Four-square lock with white collar
- Z** Round-cylinder lock with key
- PZ** Profile cylinder lock with metal collar
- SD** Screwdriver operated cam latch
- H** Hex head cam latch
- P** Pinned hex head cam latch

for drywall partitions



watch installation video

for ceilings



watch installation video

produciamo soluzioni

FF Systems Italia
Sistemi d'ispezione

Access panel 'airtight and dust-proof'

System F2 AKL - Aluminium frame, with plasterboard inlay, for ceilings and drywall partitions



Ready-to-paint door leaf

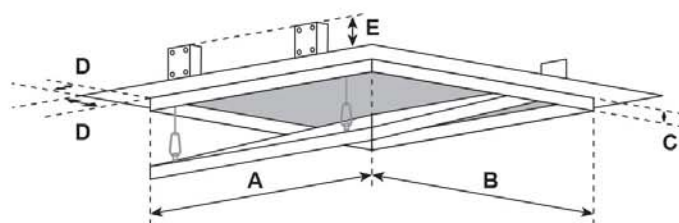
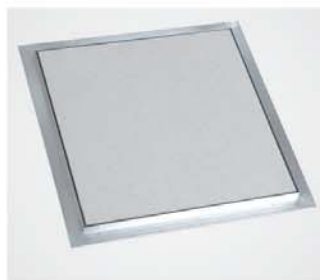
Description

The access panel consists of aluminium profiles, with plasterboard inlay GKBI from 12.5 mm to 25 mm and two latches.

Both, an outer and an inner frame of the access panel consist of four single frames, which are firmly connected due to a special welding process. The access panel is equipped with a catchwire. In order to avoid accidents, this safety-system has to be secured after each opening.

The access panel is readily installable in walls and ceilings. A joint gap of 2.5 mm is visible between outer frame and door leaf, which is equipped with an innovative brush joint. The concealed snap locks open the access panel when pressure is applied to the flap on the spring loaded latch side.

NEW: Smoke-proof version also available! Please ask for it!



Standard sizes for plasterboard inlay 12.5 mm

| System F2 | Dimensions in mm | | | | |
|---------------|------------------|-----|----|----|----|
| | A | B | C | D | E |
| AKL200200G125 | 200 | 200 | 13 | 28 | 40 |
| AKL300300G125 | 300 | 300 | 13 | 28 | 40 |
| AKL400400G125 | 400 | 400 | 13 | 28 | 40 |
| AKL500500G125 | 500 | 500 | 13 | 28 | 40 |
| AKL600600G125 | 600 | 600 | 13 | 28 | 40 |

All standard sizes are available for cladding thicknesses from 12.5 mm to 25 mm.

For other cladding thicknesses, please do not hesitate to contact us.

Tested up to 1000 x 1000 mm

Customized solutions

Customized sizes can be produced in every dimension upon enquiry.

Particular advantages of our system

- Economical solution
- Delivery at short notice on request
- Quick and easy installation
- Also tested with locks
- Sophisticated solution
- Flush installation in ceilings and drywall partitions
- Validated 'airtight and dust-proof':
Test report Nr. 106 34533 (ift Rosenheim)

Locks

The access panel can be equipped with the following types of locks:

- FS** Four-square lock with white collar
- Z** Round-cylinder lock with key
- PZ** Profile cylinder lock with metal collar

produciamo soluzioni

FF Systems Italia

Sistemi d'ispezione

Alu-Magic

F2
AKL



Access panel for tiling

System F3 - Aluminium frame, with plasterboard inlay, for drywall partitions

Alu
For tiling

F3

Description

The access panel consists of aluminium profiles, with plasterboard inlay GKBI 12.5 mm, 15 mm or 25 mm and two latches.

Both, an outer and an inner frame of the access panel consist of four single frames, which are firmly connected due to a special welding process. The access panel is equipped with a catchwire. In order to avoid accidents, this safety-system has to be secured after each opening.

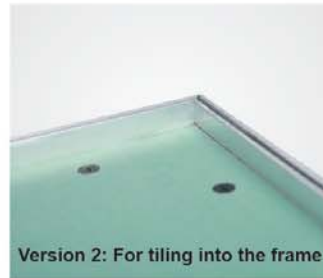
The access panel is readily installable in walls. A joint gap of 3 mm (version 1) or 1.5 mm (version 2) is visible between outer frame and door leaf, which is equipped with a circumferential joint. The concealed snap locks open the access panel when pressure is applied to the flap on the spring loaded latch side.



Example of installation: Consignment without tiles.



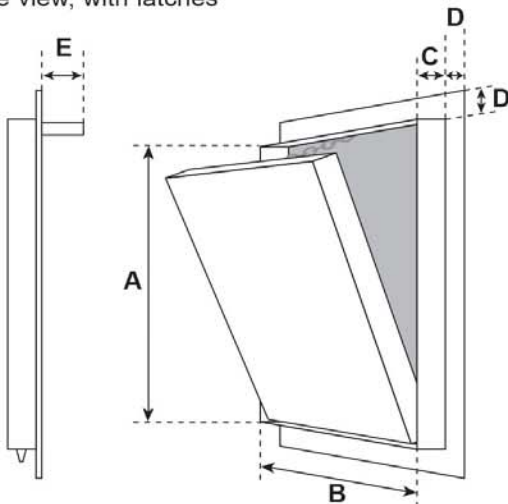
Version 1: For tiling the door leaf



Version 2: For tiling into the frame



Left picture:
Closed side view, with latches



D = 28 mm
E = 40 mm

All standard sizes are available for cladding thicknesses of 12.5 mm, 15 mm or 25 mm.

For other cladding thicknesses, please do not hesitate to call us.

Dimensions

These panels are customizations, produced exactly to dimensions given by the customer.

Version 1



watch
installation video

Version 2



watch
installation video

Dimensions

The access panel is aligned to the grid dimension of the tiles. Information on the dimensions of the tiles and joint gaps is required, from which dimensions A and B can be ascertained.

Dimensions D and E remain constant. Dimension C corresponds to the respective cladding thicknesses.

Versions

- For "tiling the door leaf": The aluminium profile is flush with the board GKBI. The tiles are placed upon the profile.
- For "tiling into the frame": The aluminium profile is higher than the board GKBI. The tiles are placed into the frame.
Advantages: - easier assembly for the tiler
- clean circumferential border

Particular advantages of our system

- Economical solution
- Delivery at short notice on request
- Quick and easy installation
- Solid aluminium frame
- Sophisticated solution
- Flush installation in drywall partitions

produciamo soluzioni

FF Systems Italia
Sistemi d'ispezione

Jumbo light door

Aluminium frame, for wall with lateral closing. System JA



Description

This access panel consists of aluminium frame with impregnated plasterboard 12,5 mm.

Both outer and inner frame of the access panel consist of four single frames, which are firmly connected due to a special welding process.

The outer frame is reinforced by a square tubing 40 x 20, installed in the back as a "C" or rather only on three sides. Over this square tubing are installed the hinges that allow opening up to 90°.

Some sizes are provided by a roller piece installed in the bottom angle (closing side) that allow a comfortable and safe opening / closing.

Encumbrance inside the inspection hole, around the whole perimeter: 60 mm.



Special Sizes

Custom required are available.

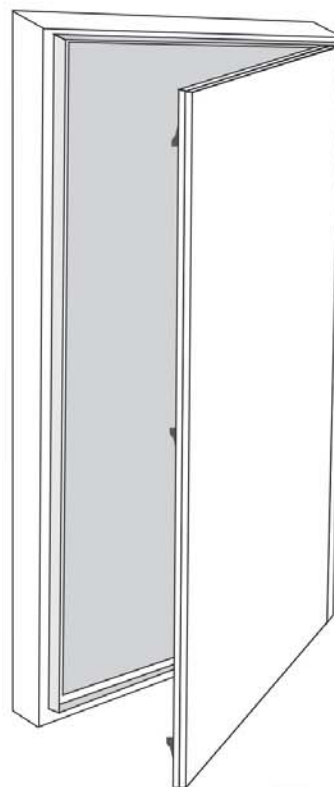
Locks

The access panel can be equipped with the following types of locks:

- FS** Four-square lock with white collar
- Z** Round-cylinder lock with key
- PZ** Profile cylinder lock with metal collar
- SD** Screwdriver operated cam latch
- H** Hex head cam latch
- P** Pinned hex head cam latch

Particular advantages of our system

- Perfect solution for middle/big sizes
- Fast delivery
- Solid aluminium frames
- Hinges for lateral closing



produciamo soluzioni
FF Systems Italia
Sistemi d'ispezione



watch
installation video



Jumbo door

System JT for oversizes

Description

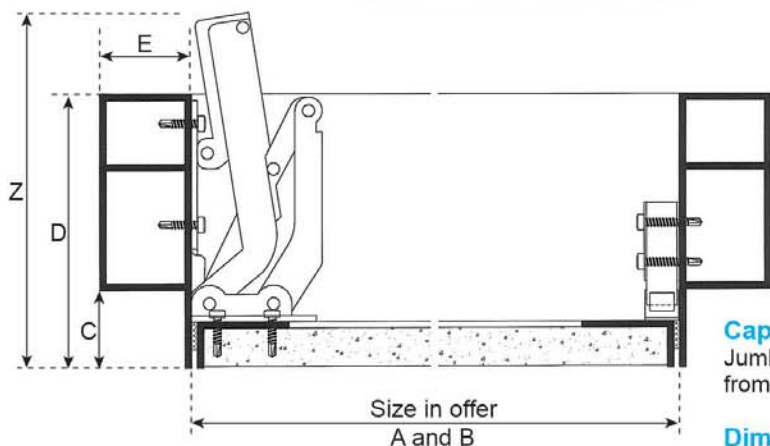
This access panel consists of welded aluminium frame and is strengthened with aluminium square tubing. This reinforced square tubing allows for one large door. The door is non-removable.

The reveal of 1.5 mm is visible between the outer frame and door hatch. The concealed snap locks open the access panel when pressure is applied to the spring loaded latch side.

This access panel is designed for larger openings that require one door.



JT



A and B= external frame internal sizes

C = 25 mm

D = 90 mm

E = 30 mm

Z = 117 mm

Capabilities

Jumbo doors can be installed in plasterboard walls with a thickness from 12.5 to 25 mm.

Dimensions

These panels are customizations, produced exactly to dimensions given by the customer.

Locks

The Jumbo door can be equipped with the following types of locks:

- FS** Four-square lock with white collar
- Z** Round-cylinder lock with key
- PZ** Profile cylinder lock with metal collar

Particular advantages of our system

- Superior engineering & innovative design
- Fast delivery
- Quick and easy installation
- Solid aluminium frame
- Flush installation in ceilings and walls
- Lateral opening



produciamo soluzioni

FF Systems Italia

Sistemi d'ispezione

Access panel with oversized multi-door

System F1/F2 oversized multi-door - Aluminium frame, with plasterboard inlay, for drywall applications



DA F1

Description

The access panel consists of aluminium profiles, with plasterboard inlay GKBI from 12.5 mm to 25 mm and two latches.

Both, an outer and an inner frame of the access panel consist of four single frames, which are firmly connected due to a special welding process. The access panel is equipped with a safety-system against accidental opening. In order to avoid accidents, this safety-system has to be secured after each opening.

A joint gap of 1.5 mm is visible between outer frame and door leaf. The concealed snap locks open the access panel when pressure is applied to the flap on the spring loaded latch side.

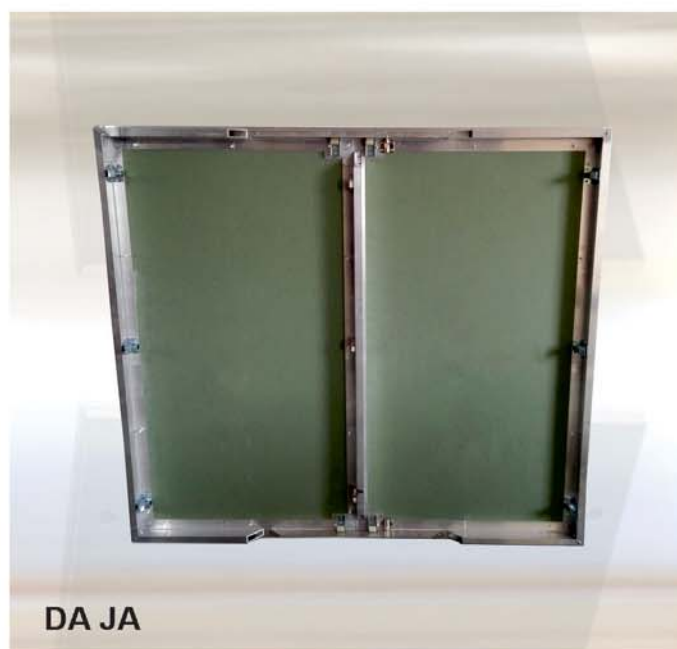
This access panel is designed with a double door to create a large clear span opening.

Oversized
multi-door

DA



DA F2



DA JA

Capabilities

In non-load bearing interior plasterboard ceilings and walls.

Dimensions

These panels are customizations, produced exactly to dimensions given by the customer.

Locks

The access panel can be equipped with the following types of locks:

- FS** Four-square lock with white collar
- Z** Round-cylinder lock with key
- PZ** Profile cylinder lock with metal collar
- SD** Screwdriver operated cam latch
- H** Hex head cam latch
- P** Pinned hex head cam latch

Particular advantages of our system

- Superior engineering & innovative design
- Fast delivery
- Quick and easy installation
- Solid aluminium frame
- Flush installation in ceilings and walls
- Full clear opening despite oversize

produciamo soluzioni

FF Systems Italia

Sistemi d'ispezione



watch
installation video

Access panel on support (gravity closing) for ceiling or with pivots for wall

Aluminium frame, for wall or ceiling, one door or multi door

special
Alu

Description

This access panel consists of aluminium frame with impregnated plasterboard 12,5 mm, or regular plasterboard 9,5 - 15 - 18 - 25 mm.

A join gap of 1,75 mm is visible between the outer frame and door leaf which is equipped with an esthetic white joint.

The version on support (gravity closing) is for ceiling.

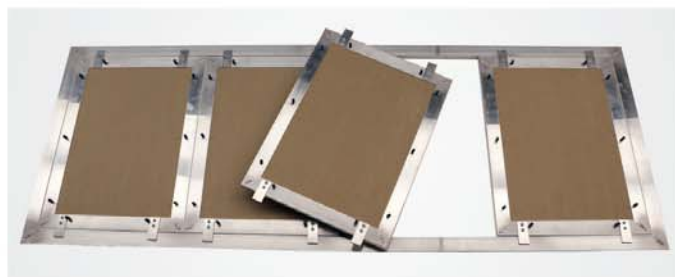
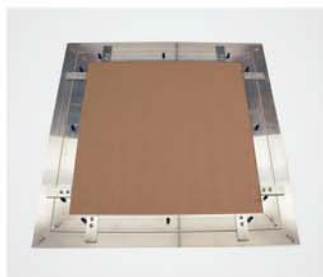
The version with pivots is for wall.

This special system is produced when the application spaces are such reduced doesn't allow the use of regular systems.

Multidoor available.



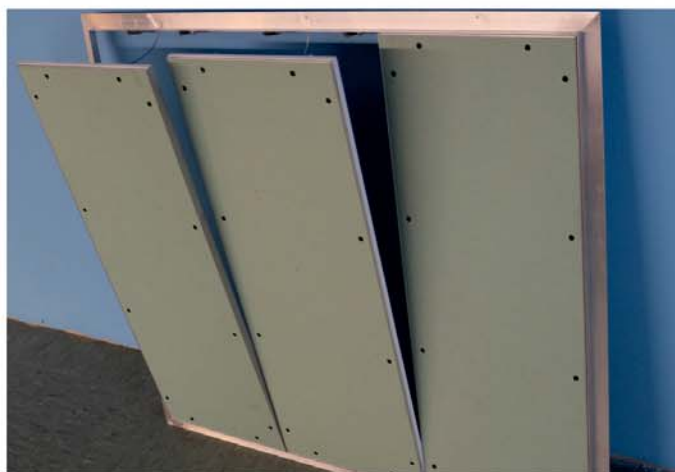
APP-
F3N



Locks

The access panel can be equipped with the following types of locks:

- | | |
|---|--|
| FS Four-square lock with white collar | SD Screwdriver operated cam latch |
| Z Round-cylinder lock with key | H Hex head cam latch |
| PZ Profile cylinder lock with metal collar | P Pinned hex head cam latch |



Particular advantages of our system

- For reduced spaces
- Special custom sizes
- Multidoor for wall or ceiling
- Removable doors
- Full clear opening

produciamo soluzioni

FF Systems Italia
Sistemi d'ispezione

NEW: Now also for ceiling installation

Jumbo XXL

Aluminium frame for ceiling - System J-XXL



Jumbo XXL

J-XXL



Description

The access panel is produced with one or more doors depending on the size. In case of more than one door, them will be born by a removable central support.

Between outer frame and the door is visible a joint gap of 1.5 mm which is equipped with a perimetral joint that avoid the passage of the light.

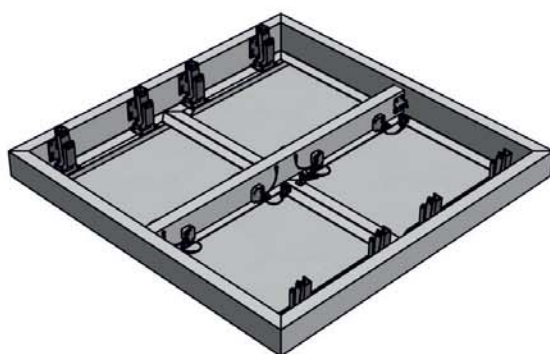
The snap locks, invisibles, can be open only with a light pressing.

The outer frame consists of a tubular aluminum frame, equipped with strong hinges that allow an easy opening.

The access panel is equipped with a safety cables against the accidental opening that must closed after every using.



Example:
High view of access panel with four doors



Application possibilities

- Plasterboard ceiling thickness between 10 and 15 mm
- Solid brickness ceiling

Special sizes

Customized sizes on requested

Maximum dimensions:

- Width: 2000 mm
- Length: on request

Particular advantages of our system

- Fast delivery
- Quick installation
- Sturdy aluminum frame
- Removable central support
- Perfect solution for extra long ceilings

Locks

The access panel can be equipped with the following types of locks:

- FS** Four-square lock with white collar
- Z** Round-cylinder lock with key
- PZ** Profile cylinder lock with metal collar

produciamo soluzioni
FF Systems Italia
Sistemi d'ispezione



Access panel with perforated board

System F2LO - Aluminium frame, with plasterboard



Alu with perforated board

F2-LO



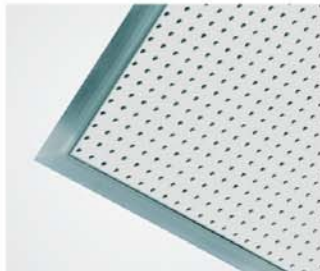
Description

The access panel consists of aluminium profiles with perforated plasterboard inlay 12.5 mm or 10 mm and two latches.

Both outer and inner frame of the access panel consist of four single frames, which are firmly connected due to a special welding process. From 300 x 300 mm, the access panel is equipped with a catchwire. In order to avoid accidents, this safety-system has to be secured after each opening.

A joint gap of 0.5 mm is visible between outer frame and door leaf. The concealed snap locks open the access panel when pressure is applied to the flap on the spring loaded latch side.

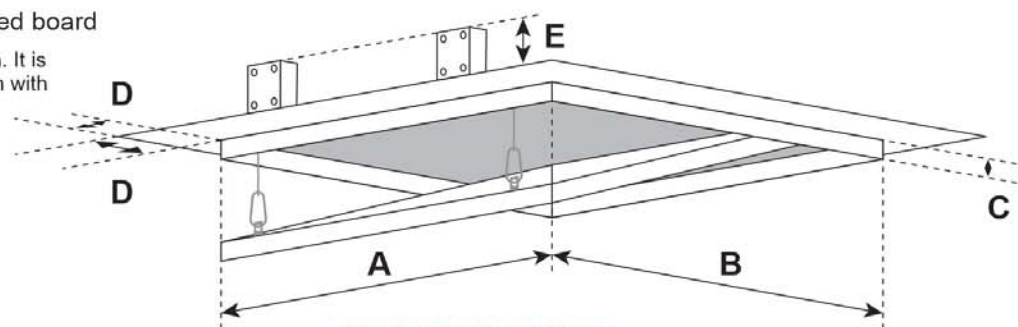
All common perforations can be installed.



Example with 12.5 mm perforated board

A+B: Depending on type of perforation. It is aligned to the existing perforation with millimetre accuracy.

- C: 13 mm
- D: 28 mm
- E: 40 mm



Customized solutions

Customized sizes can be produced in every dimension upon enquiry.

Locks

The access panel can be equipped with the following types of locks:

- FS** Four-square lock with white collar
- Z** Round-cylinder lock with key
- PZ** Profile cylinder lock with metal collar
- SD** Screwdriver operated cam latch
- H** Hex head cam latch
- P** Pinned hex head cam latch

Particular advantages of our system

- Economical solution
- Delivery at short notice on request
- Quick and easy installation
- Solid aluminium frame
- Sophisticated solution
- Flush installation in ceilings with perforated board
- Fits in exactly with the existing perforation pattern
- No time-consuming adjustments at the building site necessary



produciamo soluzioni

FF Systems Italia
Sistemi d'ispezione

Access panel round removable

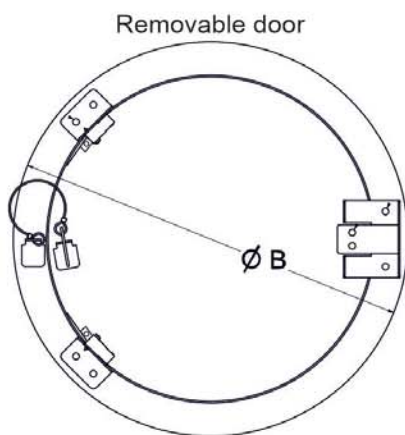
System R - round access panel with plasterboard inlay, removable



Description

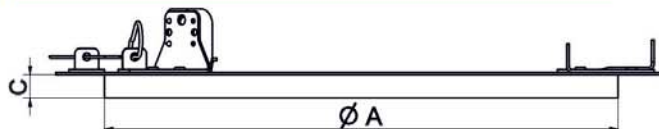
The round access panel consists of an aluminium frame with plasterboard inlay 12,5 mm and latches.

The access panel is equipped with a safety-system against accidental opening. In order to avoid accidents, this safety-system has to be secured after each opening. The access panel is easily installed in walls and ceilings. A joint gap of 1.5 mm is visible between outer frame and door leaf, which is equipped with a circumferential sealing strip. The concealed snap locks open the access panel when pressure is applied to the flap on the spring loaded latch side.



- A = inside frame measurement
- C = frame thickness
- D = 26 mm
- E = 40 mm

Cladding thicknesses 15 mm, 18 mm and 20 mm are also available (special fabrication)!



Particular advantages of our system

- Economical solution
- Fast delivery
- Quick and easy installation
- Solid aluminium frame
- Superior engineering & innovative design
- Flush installation in drywall ceilings and walls
- Also applicable to perforated gypsum boards

Locks

The access panel can be equipped with the following types of locks:

- FS** Four-square lock with white collar
- Z** Round-cylinder lock with key
- PZ** Profile cylinder lock with metal collar

produciamo soluzioni

FF Systems Italia

Sistemi d'ispezione

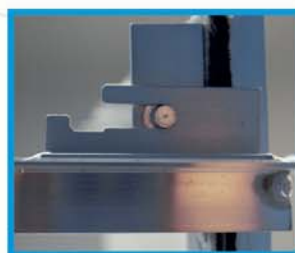
Alu round

R



Access panels for outdoor

- Flush-mounted frame in welded aluminum, for better stability
- Safety cables and snap hooks for easy door opening
- Air and dust tight seal
- Watertight gasket



- V2 system for tiles or thick skim coatings
- F1 with lateral invisible pins for the fixed door
- JA system with hinges for door opening
- JT system with hinges for large dimensions and door opening



- Customized production
- Large dimensions with single door
- Special thicknesses
- Any kind of plate
- Fast delivery
- Only some models



Access panel outdoor sheets

Access panel for outdoor – System FP



Description

This access panel consists of aluminum frame, with cement sheet and two or more stainless steel snaps.

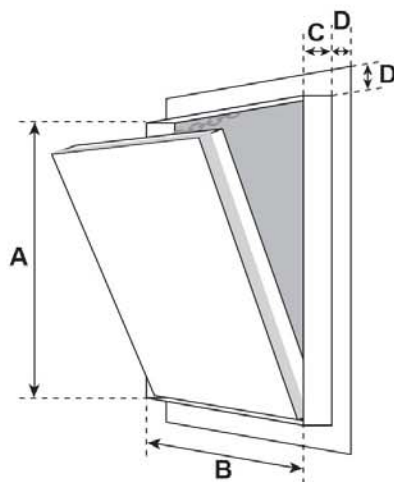
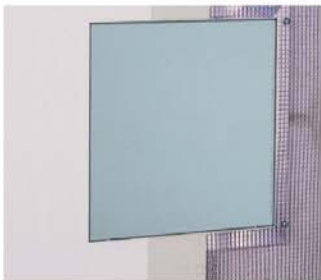
The thickness of the inner frame is 15 mm and the cement sheet has a thickness of 12,5 mm, recessed to allow flush plastering.

From the measure 300x300 the access panel is supplied with two or more safety chains with snap-lock to be reattached after each opening, to ensure safety. A joint gap of 3 mm is visible between outer frame and door leaf, which is equipped with an airtight and dustproof joint.

The access panel is ready for installation on outdoor sheets.

Alu
for outdoor

FP
Aqua



A and B = inside frame measurement
C = 15 mm (recessed plate 12,5 mm)
D = 28 mm

Wall hole:
access panel measure + 5 mm

Particular advantages of our system

- Economical solution
- Fast delivery
- Quick and easy installation
- Solid aluminium frame
- Technically proven solution and innovative design
- Quick installation on facades

Special sizes

Customized sizes can be produced in every dimensions upon request.

Locks

The access panel can be equipped with the following types of locks:

Z Round-cylinder lock with key

PZ Profile cylinder lock with metal collar

produciamo soluzioni

FF Systems Italia

Sistemi d'ispezione

Access panel for outdoor on brick walls

Access panel for outdoor - System MPW

AIU
for outdoor

MPW
Aqua

Description

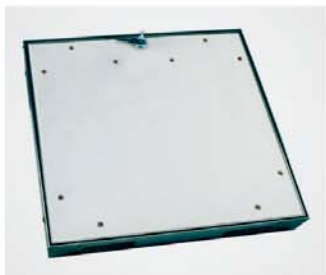
This access panel consists of aluminium frame, with cement sheets and two or more stainless steel snaps.

The thickness of the inner frame is 15 mm and the cement sheets has a thickness of 12,5 mm, recessed to allow flush plastering.

The external frame has a thickness of 60 mm and is designed for application on walls made of blocks or bricks, thanks to the anchoring claps or the possibility of fixing with dowels.

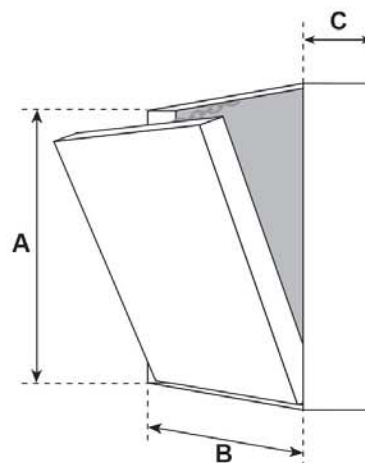
From the measure 300x300 the access panel is supplied with two or more safety chains with a snap-lock to be reattached after each opening, in order to ensure safety.

A joint gap of 3 mm is visible between outer frame and door leaf, which is equipped with an airtight and dustproof joint.



A and B = inside frame measurement
C = 60 mm

Light hole: access panel measure - 56 mm
Wall hole: access panel measure + 5 mm



Special sizes

Customized sizes can be produced in every dimensions upon request.

Locks

The access panel can be equipped with the following types of locks:

- Z** Round-cylinder lock with key
- PZ** Profile cylinder lock with metal collar

Particular advantages of our system

- Economical solution
- Fast delivery
- Quick and easy installation
- Solid aluminium frame
- Technically affirmed solution and innovative design
- Quick installation on facades

produciamo soluzioni

FF Systems Italia
Sistemi d'ispezione

Access panel for outdoor on brick walls for large size

Access panel for outdoor - System MPWT



Description

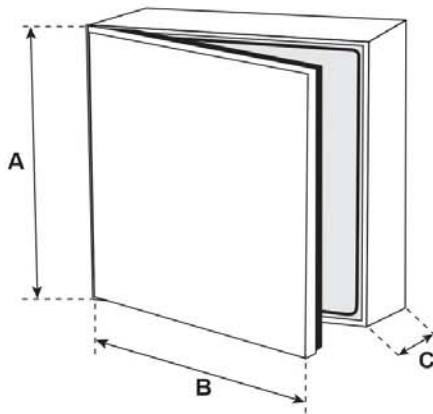
This access panel consists of aluminium frame, with cement sheets and two or more stainless steel snaps.

The thickness of the inner frame is 15 mm and the cement sheets has a thickness of 12,5 mm, recessed to allow flush plastering.

The external frame consists of a tubular profile, on which special hinges are fixed, with opening up to 175°.

From the measure 300x300 the access panel is supplied with two or more safety chains with a snap-lock to be reattached after each opening, in order to ensure safety.

A joint gap of 3 mm is visible between outer frame and door leaf, which is equipped with an airtight and dustproof joint.



A and B = inside frame measurement

C = 60 mm

Light hole: access panel measure - 56 mm

Wall hole: access panel measure + 5 mm

Particular advantages of our system

- Economical solution
- Fast delivery
- Quick and easy installation
- Solid aluminium frame
- Technically affirmed solution and innovative design
- Quick installation on facades

Special sizes

Customized sizes can be produced in every dimensions upon request.

Locks

The access panel can be equipped with the following types of locks:

Z Round-cylinder lock with key

PZ Profile cylinder lock with metal collar

produciamo soluzioni

FF Systems Italia

Sistemi d'ispezione

Alu
for outdoor

MP
WT
Aqua

Access panel for facade 'watertight'

System MPWD - for plastering

Alu
for outdoor

MPWD
Aqua

Description

The access panel consists of aluminium profiles, a cement board and a round cylinder lock with key. Both, an outer and an inner frame of the access panel consist of four single frames, which are firmly connected due to a special welding process. The access panel is equipped with a safety-system against accidental opening.

In order to avoid accidents, this safety-system has to be secured after each opening. A joint gap of 3 mm is visible between outer frame and door leaf, which is equipped with an innovative brush joint and, in addition, with a special joint. Access panels for facades in the outer area are applicable for direct mounting onto solid walls (without external wall insulation system) or for installation into a wall insulation system (foam-sealed) from an insulation thickness of 80 mm.



Standard sizes

The access panel MPWD is available in all standard sizes.

A and B = inside frame measurement

C = 78 mm

Light hole: access panel measure - 56 mm

Wall hole: access panel measure + 5 mm

All standard sizes are available at short notice from stock.

The access panel is "watertight".

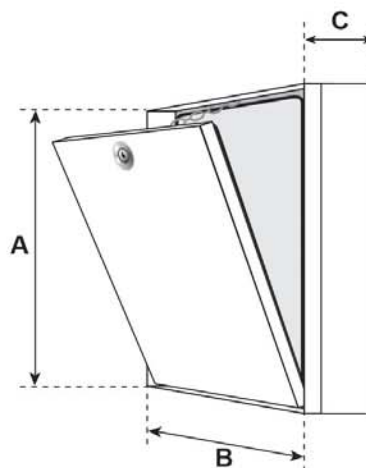
Customized solutions

Customized sizes can be produced in every dimension upon enquiry.

Locks

The access panel can be equipped with the following types of locks:

- Z** Round-cylinder lock with key (standard)
- SD1** Screwdriver operated cam latch
- H1** Hex Head Cam Latch
- P1** Pinned Hex Head Cam Latch



Particular advantages of our system

- Economical solution
- Fast delivery
- Quick and easy installation
- Solid aluminium frame
- Superior engineering & innovative design
- Flush installation in facade walls



produciamo soluzioni

FF Systems Italia
Sistemi d'ispezione

Access panel for exterior 'watertight'

System EXT - with metal surface



Description

The access panel EXT consists of a solid aluminium frame and a hatch made of 1 mm aluminium sheet with integrated insulation.

A safe installation in all types of walls is ensured by fixation through the predrilled holes in the sides of the outer frame.

The outer frame is equipped with a special circumferential sealing strip for a "watertight" joint. An innovative brush joint fixed at the door leaf serves as protection against dust.

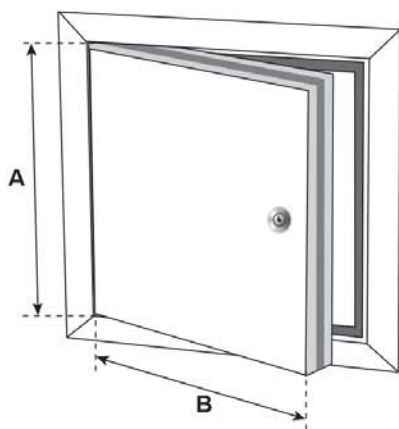
Capabilities

The access panel EXT can be installed in each type of solid walls and walls with exterior insulation finishing systems.

The access panel was specially developed for exterior application.

Alu
for outdoor

EXT
Aqua



Standard sizes

The access panel EXT is available in all standard sizes.

A and B = inside frame measurement

C = overall thickness 78 mm

Light hole: access panel measure - 55 mm

Wall hole: access panel measure + 9 mm

All standard sizes are available at short notice from stock.

The access panel is "watertight".

Customized solutions

Customized sizes can be produced in every dimension upon enquiry.

Locks

The access panel can be equipped with the following types of locks:

FS Four square lock

Z Round-cylinder lock with key

Particular advantages of our system

- Economical solution
- Fast delivery
- Quick and easy installation
- Superior engineering & innovative design
- All-purpose
- Lockable

produciamo soluzioni

FF Systems Italia

Sistemi d'ispezione



Access panels for traditional masonry

- Flush-mounted frame in welded aluminum, for better stability
- Straight frame flush with the wall with anchor bolts
- Right and left click clacks for better opening system operation
- Safety cables and snap hooks for easy door opening
- White gasket to hide the light effect between frame and door



- V2 system for tiles or thick skim coatings
- F1 with lateral invisible pins for the fixed door
- JA system with hinges for door opening
- JT system with hinges for large dimensions and door opening



- Customized production
- Large dimensions with single door
- Any kind of plate
- Fast delivery



produciamo soluzioni

FF Systems Italia
Sistemi d'ispezione

Access panel for solid walls and ceilings

System MW - Aluminium frame, with or without drywall inlay, for solid walls and ceilings



Alu
for solid walls

MW



MWS



MW



MW



MWS



MW

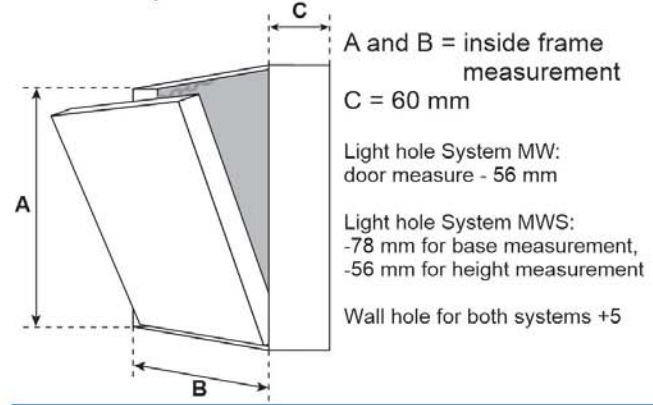


MWS

Description

The access panel consists of a welded aluminium frame and is available with or without drywall inlay of 12.5 mm, 15 mm or 25 mm and two latches.

Both an outer and an inner frame assembly consists of high grade aluminium which is bonded with a special welding process. For sizes 300 x 300 mm and up the access panels are equipped with a safety system to prevent accidental opening. This safety system must be reattached if the hatch is removed. The reveal of 1.5 mm is visible between the outer frame and door hatch. The concealed snap locks open the access panel when pressure is applied to the spring loaded latch side. This access panel is designed to be recessed into concrete wall and ceiling systems. This panel comes with predrilled holes for easy installation.



Capabilities

Solid walls and ceilings

Dimensions

These panels are customizations, produced exactly to dimensions given by the customer.

Locks

The access panel can be equipped with the following types of locks:

- FS** Four-square lock with white collar
- Z** Round-cylinder lock with key
- PZ** Profile cylinder lock with metal collar

Particular advantages of our system

- Superior engineering & innovative design
- Fast delivery
- Quick and easy installation
- Solid aluminium frame
- Flush installation
- Also available for on-site plaster or tile application

produciamo soluzioni

FF Systems Italia
Sistemi d'ispezione



Access panel for brick walls

Access Panel for brick walls - System MWT

ALU
for brick walls

MWT

Description

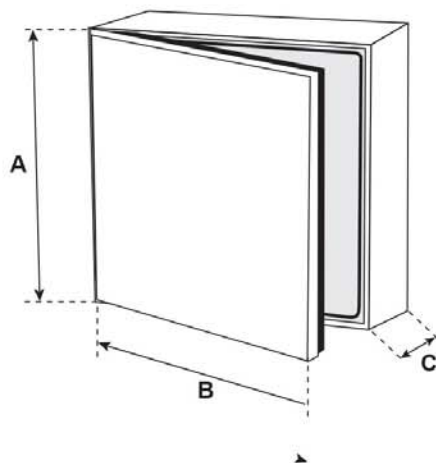
This access panel consists of aluminium frame, with impregnated plasterboard.

The thickness of the inner frame is 12,5 mm, 15 mm or 25 mm.

The external frame consist of a tubular profile, on which special hinges are fixed, with opening up to 90° or 175°.

From the measure 300x300 the access panel is supplied with two or more safety chains with a snap-lock to be reattached after each opening, in order to ensure safety.

A joint gap of 1,75mm is visible between outer frame and door leaf, which is equipped with an aesthetics white joint.



A and B = inside frame measurement
C = 90 mm

Light hole: - 78 mm for base measurement
- 56 mm for height measurement
Wall hole: door measure + 5 mm

Customized solutions

Customized sizes can be produced in every dimension upon enquiry.

Locks

The access panel can be equipped with the following types of locks:

- FS** Four-square lock with white collar
- Z** Round-cylinder lock with key
- PZ** Profile cylinder lock with metal collar

Particular advantages of our system

- Superior engineering & innovative design
- Fast delivery
- Quick and easy installation
- Solid aluminium frame

produciamo soluzioni

FF Systems Italia
Sistemi d'ispezione

Sheet metal access panels

- Frame with finishing frame
- Easy installation on blocks and panels



- Post-painted on both sides
- Double-leaf version



- RAL colors
- Stainless steel
- Galvanized sheet metal
- With click clack, magnet, locks



- Air and dust tight version
- Outdoor version



- Customized production
- Large size with one or two leaves
- Fast delivery



www.ffsystems.it

produciamo soluzioni
FF Systems Italia
 Sistemi d'ispezione

Access panel sheet steel

System B1 - With four-square lock

Description

The access panel consists of a solid outer frame and a hatch, made of galvanized sheet steel with integrated four-square lock. The standard colour is white - RAL9016.

The profile of the outer frame is chamfered. Therefore, the hatch is fixed flush with surfaces made of plaster or gypsum. The four riveted wall anchors ensure a safe installation in walls or ceilings. The door leaf is removable and suitable for left-hinged or right-hinged doors.

Capabilities

Sheet steel access panels can be mounted in partitions and ceilings as well as in solid walls and ceilings.



Customized solutions

Customized sizes can be produced in every dimension upon enquiry.

Furthermore, sheet steel access panels are available in many other versions, e.g. galvanized, different-coloured etc.

Please do not hesitate to contact us.

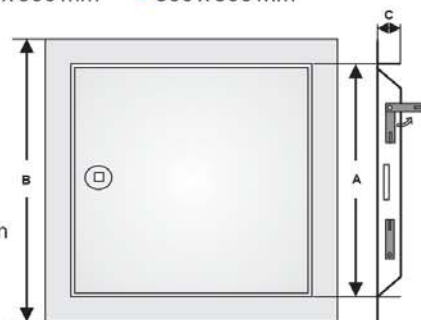
Dimensions

The access panel sheet steel with four-square lock is available in the following standard sizes. Dimension A as follows:

- 150 x 150 mm
- 150 x 200 mm
- 200 x 200 mm
- 200 x 250 mm
- 200 x 300 mm
- 250 x 250 mm
- 300 x 300 mm
- 400 x 400 mm
- 500 x 500 mm
- 600 x 400 mm
- 600 x 600 mm
- 600 x 800 mm
- 800 x 800 mm

(these are wall opening dimensions)

A = wall opening dimension
 B = dimension A+35 mm
 C = 25 mm



NEW: This access panel is also available in an "airtight and dust-proof" version and in stainless steel!



Tested up to 600 x 600 mm

Particular advantages of our system

- Economical solution
- Delivery at short notice on request
- Quick and easy installation
- Sophisticated solution
- Available in nearly every colour

for drywall partitions



watch installation video

for ceilings



watch installation video

Airtight and dust-proof for drywall partitions



watch installation video

Airtight and dust-proof for ceilings



watch installation video

Access panel sheet steel

System B2 - With snap locks



Description

The access panel consists of a solid outer frame and a hatch, made of galvanized sheet steel. The concealed snap locks open the access panel when pressure is applied to the flap on the spring loaded latch side. The standard colour is white - RAL9016.

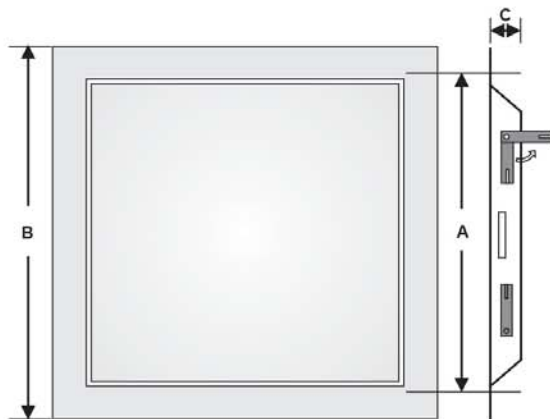
The profile of the outer frame is chamfered. Therefore, the hatch is fixed flush with surfaces made of plaster or gypsum. The four riveted wall anchors ensure a safe installation in walls or ceilings. The door leaf is removable and suitable for left-hinged and right-hinged doors.

Sheet steel

B2



Stainless steel



A = wall opening dimension
B = dimension A+35 mm
C = 25 mm

Capabilities

Sheet steel access panels can be installed in partitions and ceilings as well as in solid walls and ceilings.

Dimensions

The access panel sheet steel with snap lock is available in the following standard sizes. Dimension A as follows:

- 200 x 200 mm
- 300 x 300 mm
- 400 x 400 mm
- 500 x 500 mm
- 600 x 600 mm

(these are wall opening dimensions)

Customized solutions

Customized sizes can be produced in every dimension upon enquiry.

Furthermore, sheet steel access panels are available in many other versions, e.g. galvanized, different-coloured etc.

Please do not hesitate to call us.

Particular advantages of our system

- Economical solution
- Delivery at short notice is possible
- Quick and easy installation
- Sophisticated solution
- Available in nearly every colour

produciamo soluzioni

FF Systems Italia

Sistemi d'ispezione

for drywall partitions



watch installation video

for ceilings



watch installation video

Access panel sheet steel

System B3 - With cylinder lock

Sheet steel

B3

Description

The access panel consists of a solid outer frame and a hatch, made of galvanized sheet steel. The panel is white powder coated and comes with keyoperated cylinder lock.

The access panel rounded-off profile ensures a smooth transition to almost any surface. The four riveted wall anchors ensure a safe installation in walls or ceilings. The door is removable and suitable for left-hand or right-hand opening.

Capabilities

Sheet steel access panels can be mounted in partitions and ceilings as well as in solid walls and ceilings.



Customized solutions

Customized sizes can be produced in every dimension upon enquiry.

Furthermore, sheet steel access panels are available in many other versions, e.g. galvanized, different-coloured etc.

Please do not hesitate to contact us.

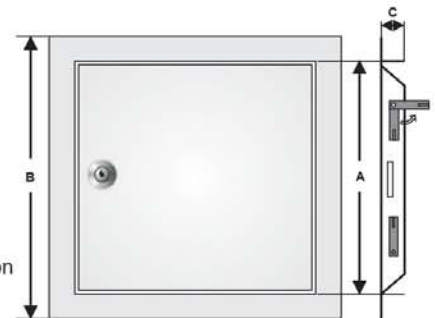
Dimensions

The access panel sheet steel with cylinder lock is available in the following standard sizes. Dimension A as follows:

- 200 x 200 mm
- 300 x 300 mm
- 400 x 400 mm
- 500 x 500 mm
- 600 x 600 mm

(these are wall opening dimensions)

A = wall opening dimension
 B = dimension A+35 mm
 C = 25 mm



NEW: This access panel is also available in an "airtight and dust-proof" version and in stainless steel!



Tested up to 600 x 600 mm

Particular advantages of our system

- Fast delivery
- Economical solution
- Quick and easy installation
- Superior engineering and innovative design
- Available in nearly every colour
- Lockable

for drywall partitions



watch installation video

for ceilings



watch installation video

Airtight and dust-proof for drywall partitions



watch installation video

Airtight and dust-proof for ceilings



watch installation video

Access panel sheet steel

System B4 - With profile cylinder lock - prepared for profile cylinder provided by customer!



Description

The access panel consists of a solid outer frame and a hatch, made of galvanized sheet steel with integrated profile cylinder lock. The standard colour is white - RAL9016.

The profile of the outer frame is chamfered. Therefore, the hatch is fixed flush with surfaces made of plaster or gypsum. The four riveted wall anchors ensure a safe installation in walls or ceilings. The door leaf is removable and suitable for left-hinged and right-hinged doors.

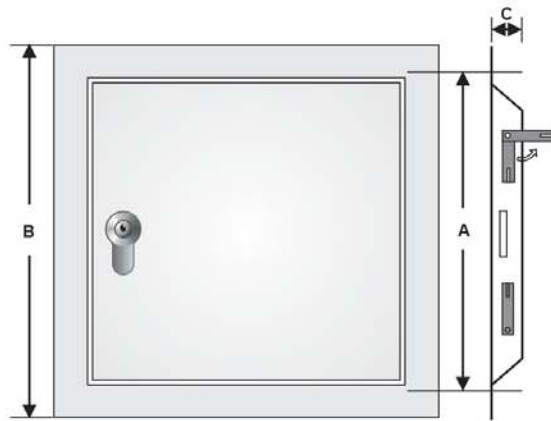
The access panel can be locked with a profile cylinder lock (profile cylinder provided by customer).

Sheet steel

B4



Stainless steel



A = wall opening dimension B = dimension A+35 mm C = 25 mm

Capabilities

Sheet steel access panels can be installed in partitions and ceilings as well as in solid walls and ceilings.

Dimensions

The access panel sheet steel with profile cylinder is available in the following standard sizes. Dimension A as follows:

- 200 x 200 mm
- 300 x 300 mm
- 400 x 400 mm
- 500 x 500 mm
- 600 x 600 mm

(these are wall opening dimensions)

Customized solutions

Customized sizes can be produced in every dimension upon enquiry.

Furthermore, sheet steel access panels are available in many other versions, e.g. galvanized, different-coloured or made from stainless steel.

Please do not hesitate to call us.

Particular advantages of our system

- Economical solution
- Delivery at short notice on request
- Quick and easy installation
- Sophisticated solution
- Available in nearly every colour
- Lockable
- Perfectly suitable for on site locking systems

produciamo soluzioni

FF Systems Italia

Sistemi d'ispezione

for drywall partitions



watch installation video

for ceilings



watch installation video

Access panel sheet steel

System B5 - with magnetic lock

Description

The access panel consists of a solid outer frame and hatch, made of galvanized sheet steel or stainless steel with integrated magnetic lock. The standard colour is white RAL9016.

A smooth transition to almost any surface is formed by the rounded-off profile. Four riveted wall anchors ensure a safe installation in walls or ceilings. The door is removable and suitable for left-hand or right-hand opening.

The access panel is provided with a magnetic lock and a recessed grip.

Capabilities

Sheet steel access panels can be mounted in walls or ceilings.



Customized solutions

Customized sizes can be produced in every dimension upon enquiry.

Furthermore, sheet steel access panels are available in many other versions as galvanized or from stainless steel. A double-door version is also available.

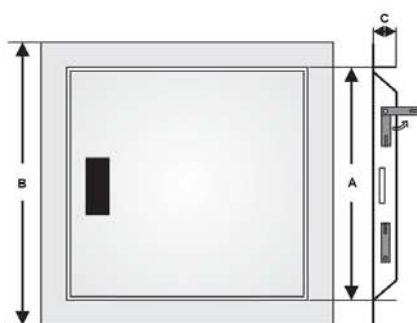
Please do not hesitate to contact us!

Dimensions

The access panel sheet steel with magnetic lock is available in the following standard sizes. Dimension A as follows:

- 150 x 150 mm
- 200 x 200 mm
- 300 x 300 mm
- 400 x 400 mm
- 500 x 500 mm
- 600 x 600 mm

(these are wall opening dimensions)



A = wall opening dimension
B = dimension A + 35 mm
C = 25 mm

Particular advantages of our system

- Economical solution
- Fast delivery
- Quick and easy installation
- Superior engineering and innovative design
- Available in nearly every colour

for drywall partitions



watch installation video

for ceilings



watch installation video


produciamo soluzioni

FF Systems Italia



Sistemi d'ispezione


The locks listed below can be mounted in our access panels and -doors:



| | | | | | | | |
|-----------|---|-----------|--|-----------|---|-----------|---|
| FS | Four-square lock with white collar Ø 22 | KS |  | FS |  | FS |  |
| | | | | | | | |

| | | | | | |
|----------|---|----------|---|----------|---|
| Z | Round-cylinder lock with key Ø 22 | Z |  | Z |  |
| | | | | | |

| | | | | | |
|-----------|--|------------|---|------------|---|
| PZ | Profile cylinder lock with metal collar | PZ1 |  | PZ2 |  |
| | | | without profile cylinder | | including profile cylinder |

| | | | | | |
|-----------|---|------------|---|------------|---|
| SD | Screwdriver operated cam latch SD1 Ø 22 SD2 Ø 13 | SD1 |  | SD2 |  |
| | | | | | |

| | | | | | | | |
|----------|---|-----------|--|-----------|---|-----------|---|
| H | Hex head cam latch H1 Ø 22 H2 Ø 13 | H0 |  | H1 |  | H2 |  |
| | | | | | | | |

| | | | | | | | |
|----------|--|-----------|--|-----------|---|-----------|---|
| P | Pinned hex head cam latch P1 Ø 22 P2 Ø 13 | P0 |  | P1 |  | P2 |  |
| | | | | | | | |



WATCH OUR INSTALLATION VIDEOS
ON YOUTUBE



VISIT US AT



VISIT OUR WEBSITE AT www.ffsystems.it



The data provided in our catalogues are for information purposes.

For details and technical information please ask our sales department.

www.ffsystems.it

produciamo soluzioni



Sistemi d'ispezione

FF SYSTEMS S.R.L.

Via Cà Bianca 36/5

21052 Busto Arsizio (VA)

Phone +39 0331 / 185 2002

Fax +39 0331 / 185 2003

E-Mail info@ffsystems.it

www.ffsystems.it



visit our
website